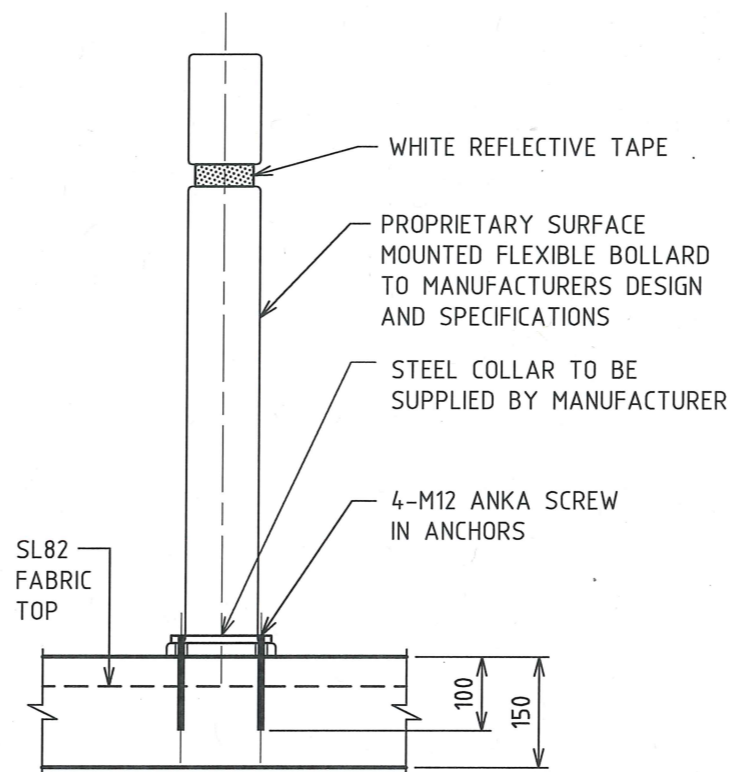
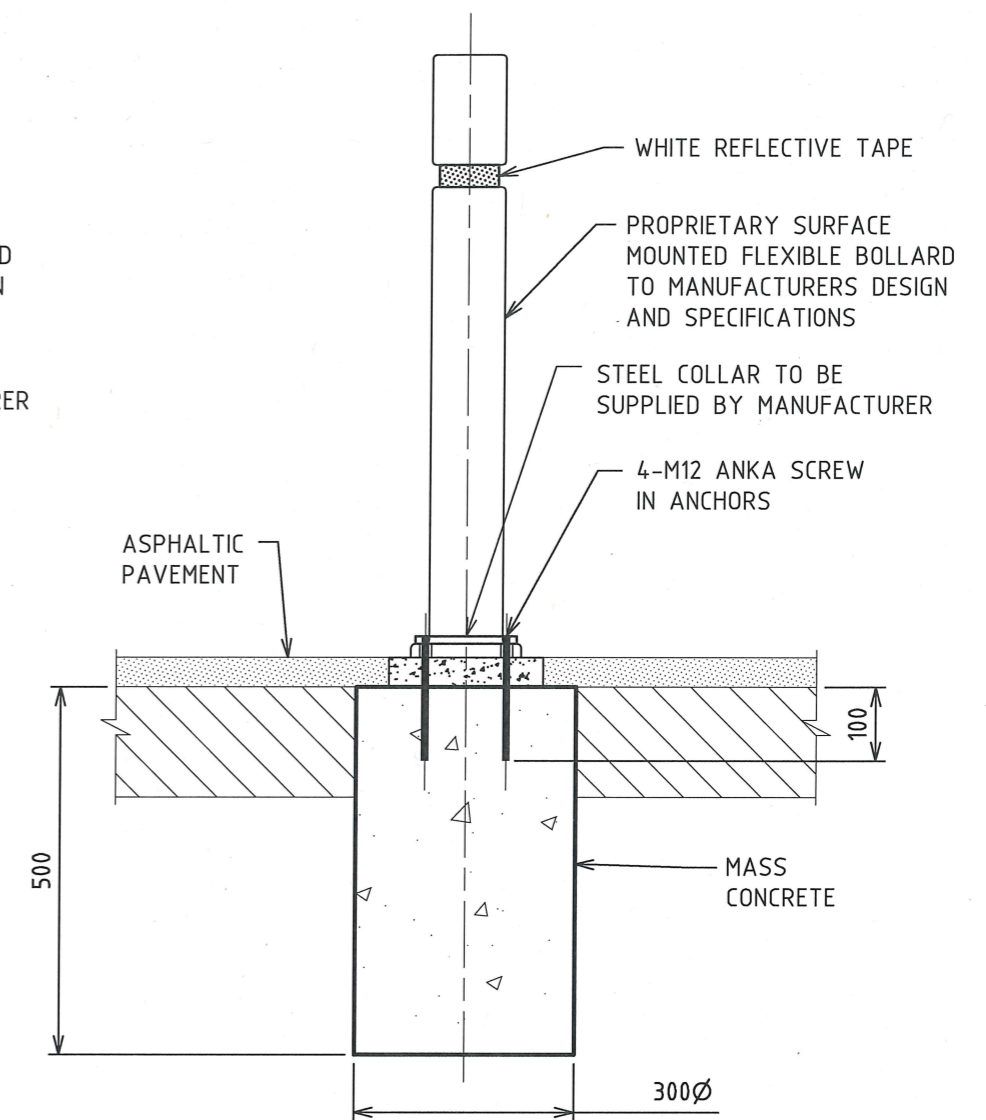


SURFACE MOUNTED ON UNIT PAVING



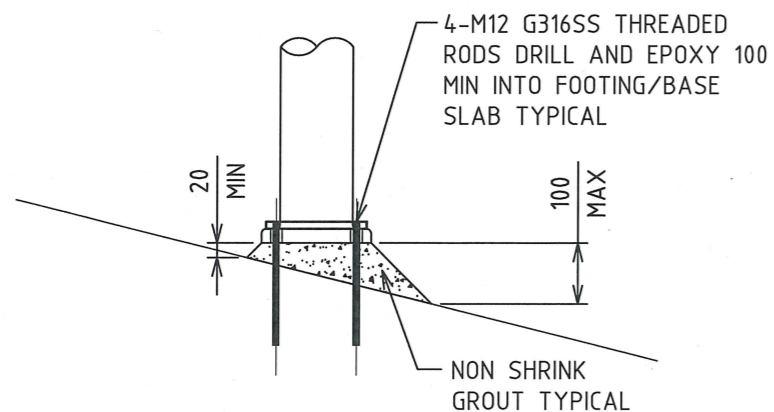
SURFACE MOUNTED ON CONCRETE



SURFACE MOUNTED ON CONCRETE

BOLLARD FLEXIBLE FIXED - FOOTING DETAILS

SCALE 1:10



ELEVATION
SLOPING SURFACE DETAIL
SCALE 1:10

NOTES

1. ALL CONCRETE TO BE GRADE N20.
2. ALL FIXINGS SHALL BE INSTALLED IN STRICT ACCORDANCE WITH MANUFACTURERS INSTRUCTIONS.
3. FLEXIBLE BOLLARD IS PROPRIETARY AND SHALL BE INSTALLED IN STRICT ACCORDANCE WITH MANUFACTURERS INSTRUCTIONS.
4. FLEXIBLE BOLLARD SHALL BE BLACK WITH A WHITE REFLECTIVE TAPE TO TOP REBATE

<table border="1"> <tr> <td>0</td> <td>CONSTRUCTION</td> <td>18.08.15</td> <td>T.A.</td> </tr> <tr> <td>No.</td> <td>AMENDMENT DETAILS</td> <td>DATE</td> <td>INITIALS</td> </tr> </table>				0	CONSTRUCTION	18.08.15	T.A.	No.	AMENDMENT DETAILS	DATE	INITIALS	<p>SCALE AS SHOWN</p>	<p>LIVEABLE CITY INFRASTRUCTURE MANAGEMENT SERVICES</p>	<p>APPROVED:</p> <p>SIGNED: <i>[Signature]</i> INFRASTRUCTURE MANAGEMENT SERVICES MANAGER</p> <p>DATE: <i>24/8/15</i></p>	<p>THE CITY OF NEWCASTLE</p> <p>BOLLARD FLEXIBLE FIXED FOOTING DETAILS</p>	<p>NCC PLAN No. A3642</p>	<p>SHEET No. 1 OF 1 SHEETS</p>
0	CONSTRUCTION	18.08.15	T.A.														
No.	AMENDMENT DETAILS	DATE	INITIALS														
<p>A3 ORIGINAL THIS SHEET WAS PREPARED IN COLOUR AND WILL BE INCOMPLETE IF COPIED</p>				<p>COORDINATE SYSTEM:</p>	<p>HEIGHT DATUM: AHD</p>	<p>REVIEWED: J.C.</p>	<p>AMENDMENT No.</p>										