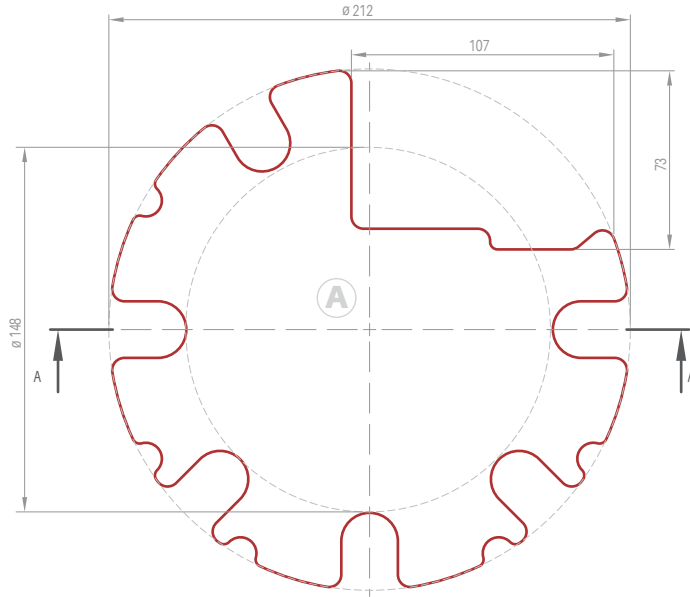
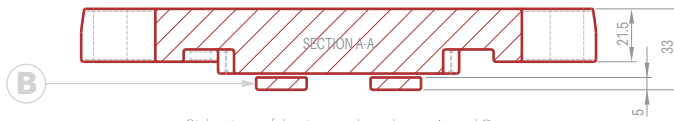


Smart Pole

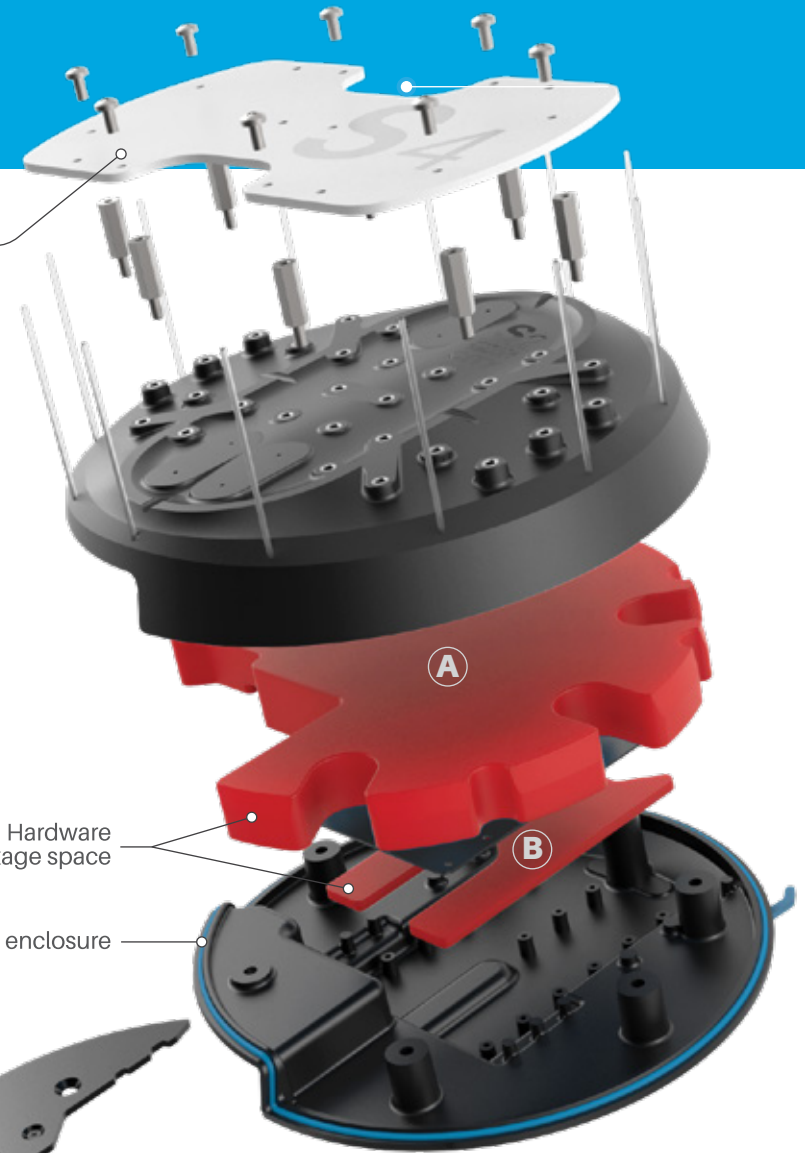


Top view of the internal package A
Dimensions in mm (image not to scale)



Side view of the internal package A and B

S₄: Customisable hardware mount plate



Hardware package space

IP rated enclosure

S₃: Power and comms plug to S₂

S₂ Sensor unit

Do you have a smart innovative idea?

The City of Newcastle invites you to be a part of the change to make a positive impact on the future of the city and even the world!

SENSOR LAB

As part of its smart city strategy, Newcastle City Council has started converting the city centre into a 'Living Lab' where entrepreneurs and innovators can come and test their products through the IoT sensory network.

The smart poles are part of the IoT sensory network and offer more than just energy efficient LED lights and a source of free Wi-Fi. They can be easily adapted to different requirements and house the latest communication and technological systems such as sensors, public address system and more.

The smart poles can house sensor-based technology in the **S1/ S2** compartments of the pole (see model diagram on reverse page), producing a wealth of data that will be used to drive efficiencies in council operations and unlock knowledge about the workings of the city.



S₂ Sensor unit

We invite you to dream big and join us to make this city a better place for everyone.
To find out how you can get involved visit: www.newcastle.nsw.gov.au/livinglab