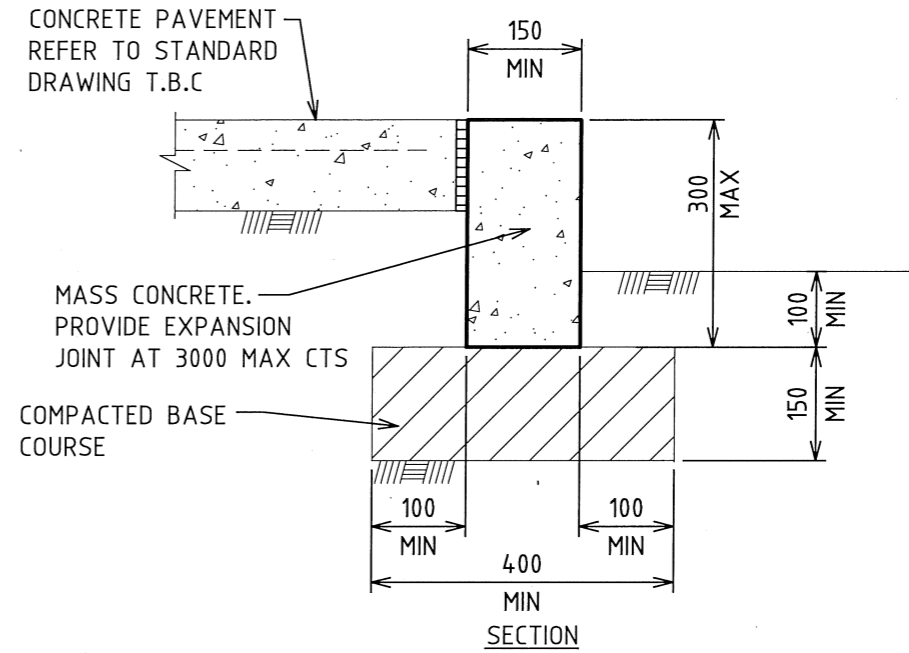
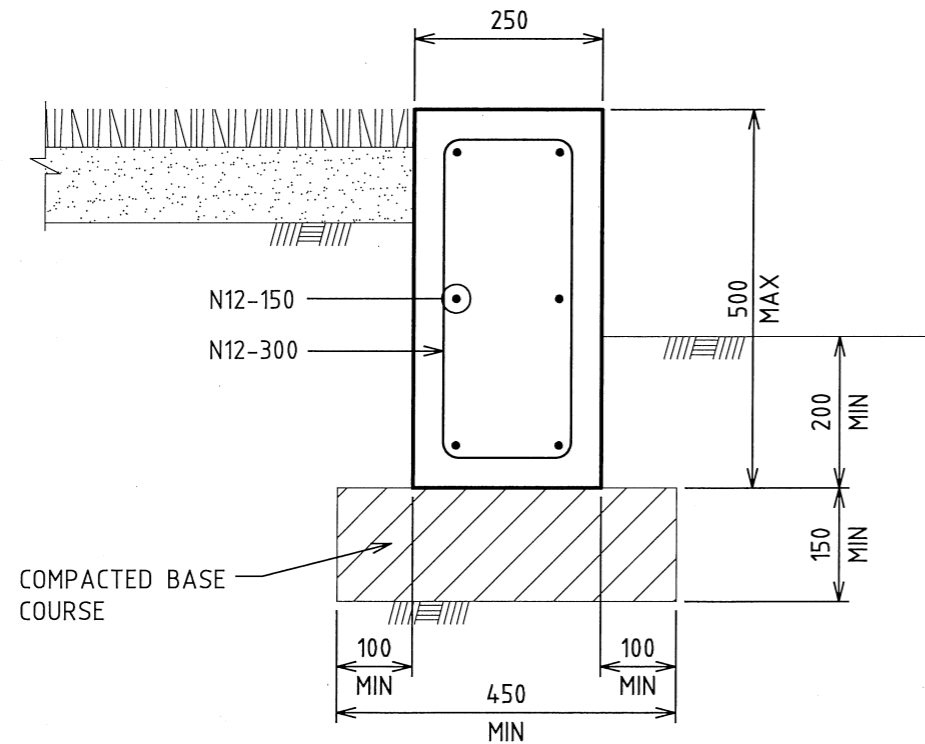


SECTION
CONCRETE EDGING - LEVEL EDGE
SCALE 1:10



SECTION
CONCRETE EDGING - STEPPED EDGE
SCALE 1:10



SECTION
CONCRETE EDGING - LARGE STEPPED EDGE
SCALE 1:10

NOTES

GENERAL NOTES

1. ENSURE MOWN HEIGHT OF GRASS (TURF) AREAS FINISH FLUSH WITH EDGING.
2. ENSURE GARDEN AREAS (MULCH) FINISH FLUSH WITH ADJACENT FINISH SURFACE LEVELS OF GARDEN EDGING.

CONCRETE NOTES

1. ALL MACHINE PLACED (EXTRUDED) CONCRETE TO BE GRADE S32. INSTALL CONTRACTION JOINTS AT 4m INTERVALS BY FORMING GROOVES 40mm DEEP BY 6mm WIDE TO ALL EXPOSED SURFACES NORMAL TO THE ALIGNMENT OF THE KERB.
2. ALL CONCRETE FOR HAUNCHES UNDER PAVERS TO BE GRADE N25.
3. ALL PATHS/PAVEMENT TO HAVE 1:50 MIN CROSS FALL.
4. PATHS AND PAVEMENTS TO COMPLY WITH AUSTRALIAN STANDARDS AND COUNCIL REQUIREMENTS FOR ACCESS AND MOBILITY (AS 1428-2003).
5. CLASS 2 FINISH FOR EXPOSED VERTICAL FACE GREATER THAN 200mm HIGH.

1	CONSTRUCTION	18.12.14	T.A.
0	PRELIMINARY	18.11.14	T.A.
No.	AMENDMENT DETAILS	DATE	INITIALS

A3 ORIGINAL THIS SHEET WAS PREPARED IN COLOUR AND WILL BE INCOMPLETE IF COPIED

SCALE	AS SHOWN
COORDINATE SYSTEM:	HEIGHT DATUM: AHD

LIVEABLE CITY
INFRASTRUCTURE
MANAGEMENT SERVICES

REVIEWED: J.C.

APPROVED:

SIGNED: *[Signature]*
INFRASTRUCTURE MANAGEMENT SERVICES MANAGER

DATE: 15/11/15

THE CITY OF NEWCASTLE

EDGING
CONCRETE

NCC PLAN No.	A3202
AMENDMENT No.	
SHEET No.	1 OF 1 SHEETS