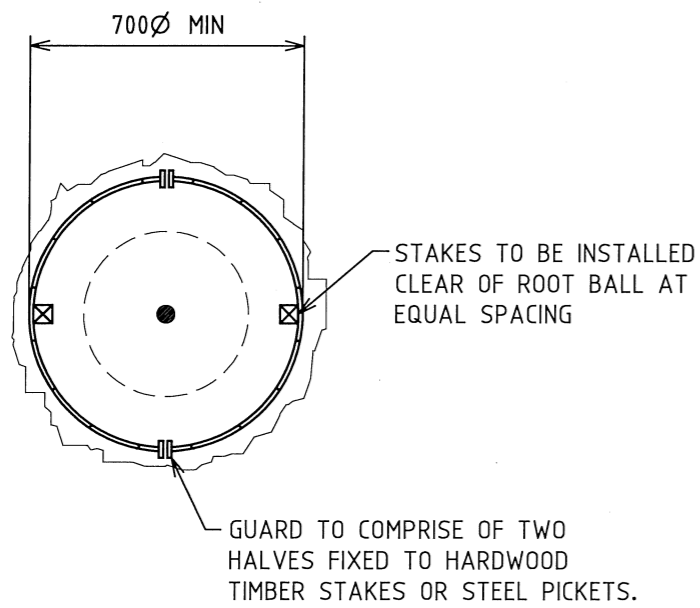
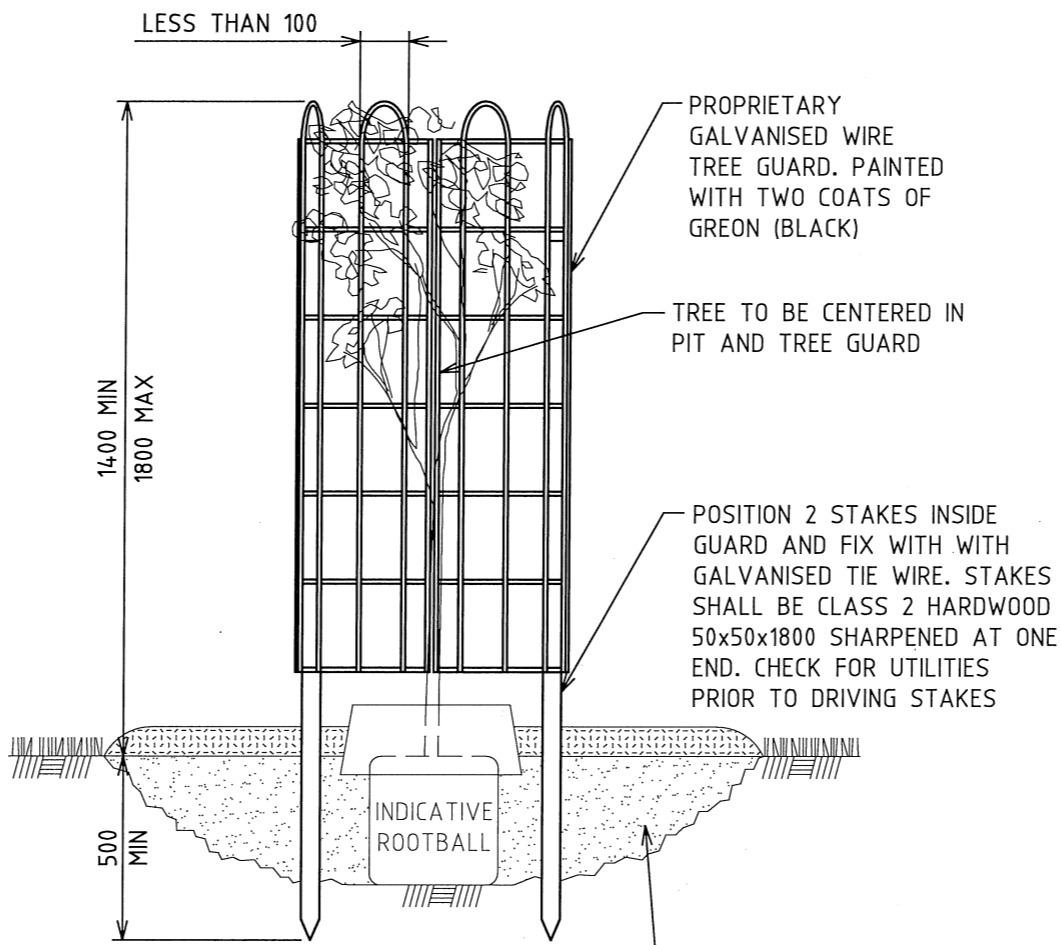


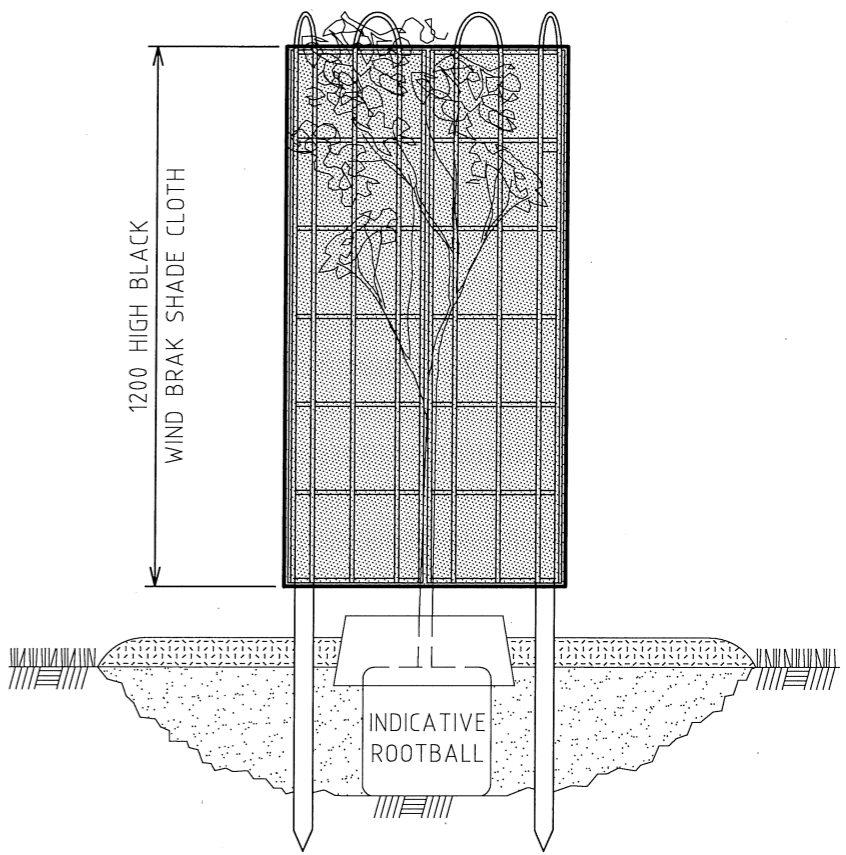
NOTE:
THIS TREE GUARD IS SUITABLE FOR
TREE SIZES LESS THAN OR EQUAL
TO 45 LITRE ONLY



PLAN
SCALE 1:20



ELEVATION
SCALE 1:20



WIND BREAK SHADE CLOTH
SCALE 1:20

TREE GUARD - LIGHT GAUGE WIRE LOOP TOP

				SCALE AS SHOWN	<p>LIVEABLE CITY INFRASTRUCTURE MANAGEMENT SERVICES</p>	<p>APPROVED:</p> <p>SIGNED: <i>[Signature]</i> INFRASTRUCTURE MANAGEMENT SERVICES MANAGER DATE: 16/11/15</p>	<p>THE CITY OF NEWCASTLE</p> <p>TREE GUARD LIGHT GAUGE WIRE LOOP TOP</p>	NCC PLAN No. A3023	SHEET No. 1 OF 1 SHEETS
1	CONSTRUCTION	18.12.14	T.A.	REVIEWED: J.C.				AMENDMENT No.	
0	PRELIMINARY	18.11.14	T.A.						
No.	AMENDMENT DETAILS	DATE	INITIALS						
A3 ORIGINAL THIS SHEET WAS PREPARED IN COLOUR AND WILL BE INCOMPLETE IF COPIED				COORDINATE SYSTEM:	HEIGHT DATUM: AHD				