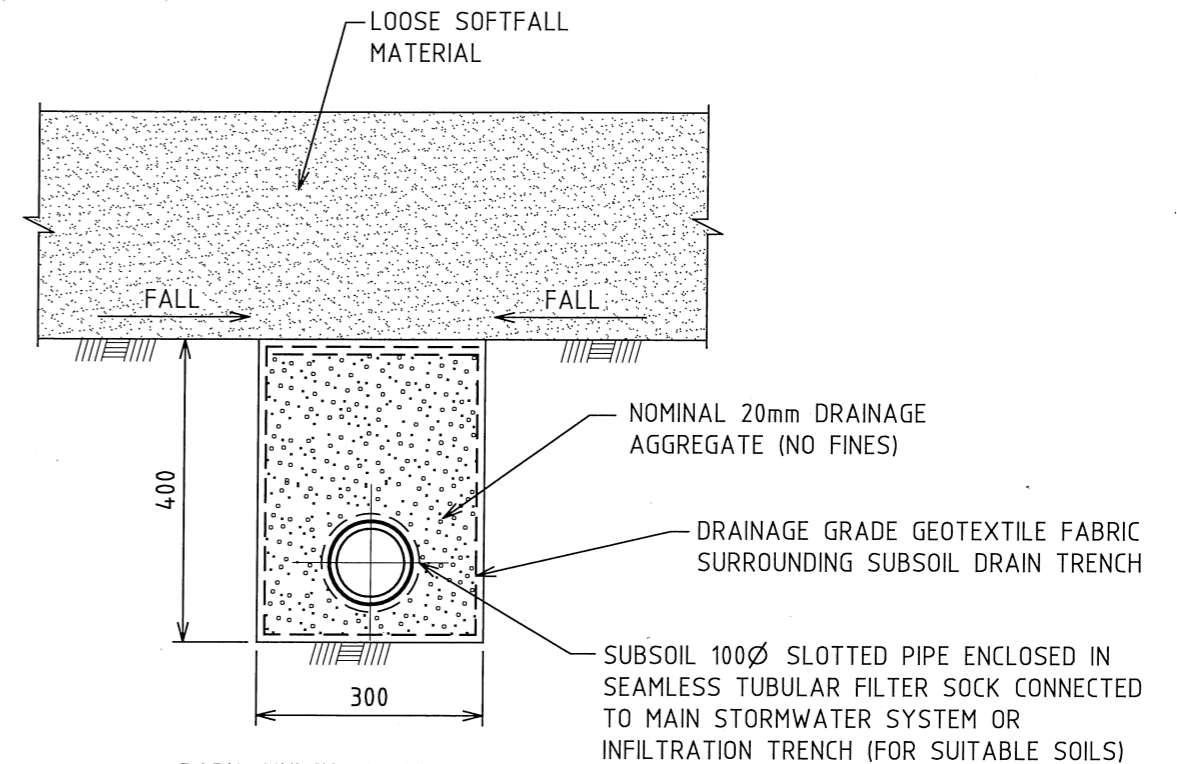


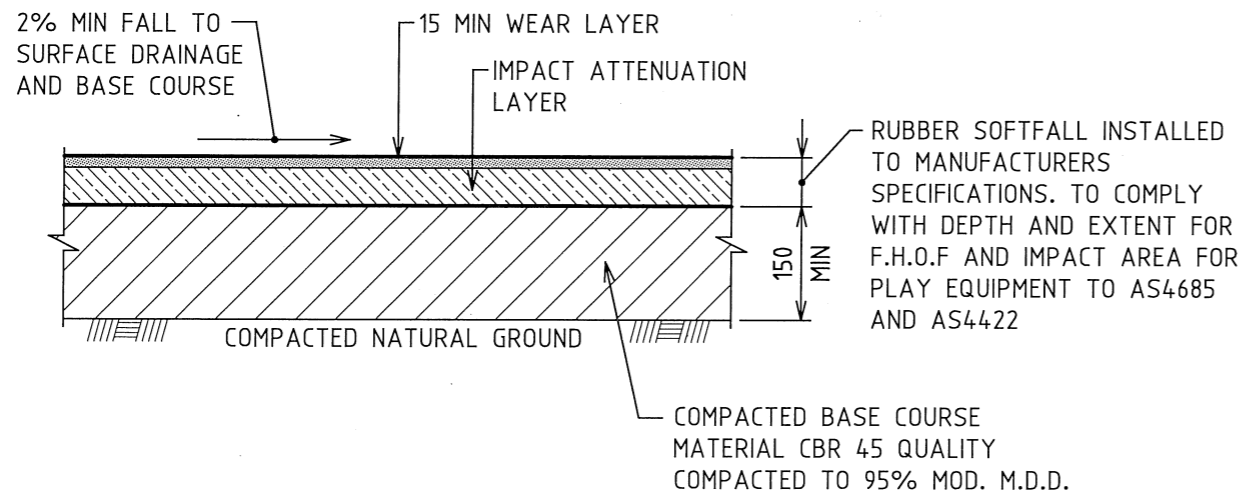
LOOSE SOFTFALL MATERIAL.
BARK, MULCH, GRAVEL OR SAND CERTIFIED TO COMPLY WITH AS4685 AND AS4422

2% MIN 20% MAX FALLS TO BASECOURSE TOWARD SUBSOIL DRAINAGE

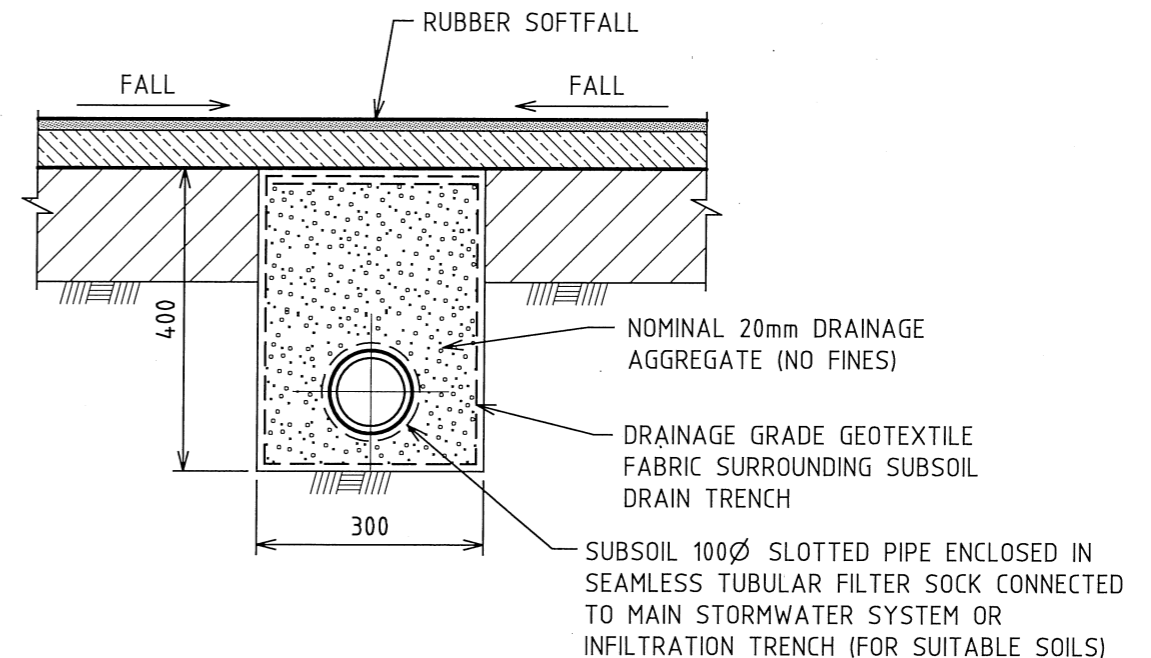
BARK, MULCH, GRAVEL OR SAND
LOOSE SOFTFALL - TYPICAL PROFILE
SCALE 1:10



BARK, MULCH, GRAVEL OR SAND
LOOSE SOFTFALL - SUBSOIL DRAINAGE
SCALE 1:10



RUBBER SOFTFALL - TYPICAL PROFILE
SCALE 1:10



RUBBER SOFTFALL - SUBSOIL DRAINAGE
SCALE 1:10

NOTE:
SUBSOIL DRAINAGE REQUIRED IN POORLY DRAINED SITES AT 5m MAX CENTRES PARALLEL WITH CONTOURS

1	CONSTRUCTION	18.12.14	T.A.
0	PRELIMINARY	18.11.14	T.A.
No.	AMENDMENT DETAILS	DATE	INITIALS

A3 ORIGINAL THIS SHEET WAS PREPARED IN COLOUR AND WILL BE INCOMPLETE IF COPIED

SCALE	AS SHOWN
COORDINATE SYSTEM:	HEIGHT DATUM: AHD

	LIVEABLE CITY INFRASTRUCTURE MANAGEMENT SERVICES
REVIEWED:	J.C.

APPROVED:	
SIGNED:	INFRASTRUCTURE MANAGEMENT SERVICES MANAGER
DATE:	

THE CITY OF NEWCASTLE
SOFTFALL BARK, MULCH, SAND AND RUBBER PROFILES

NCC PLAN No.	A3400	SHEET No.	1
AMENDMENT No.		OF	1
		SHEETS	1