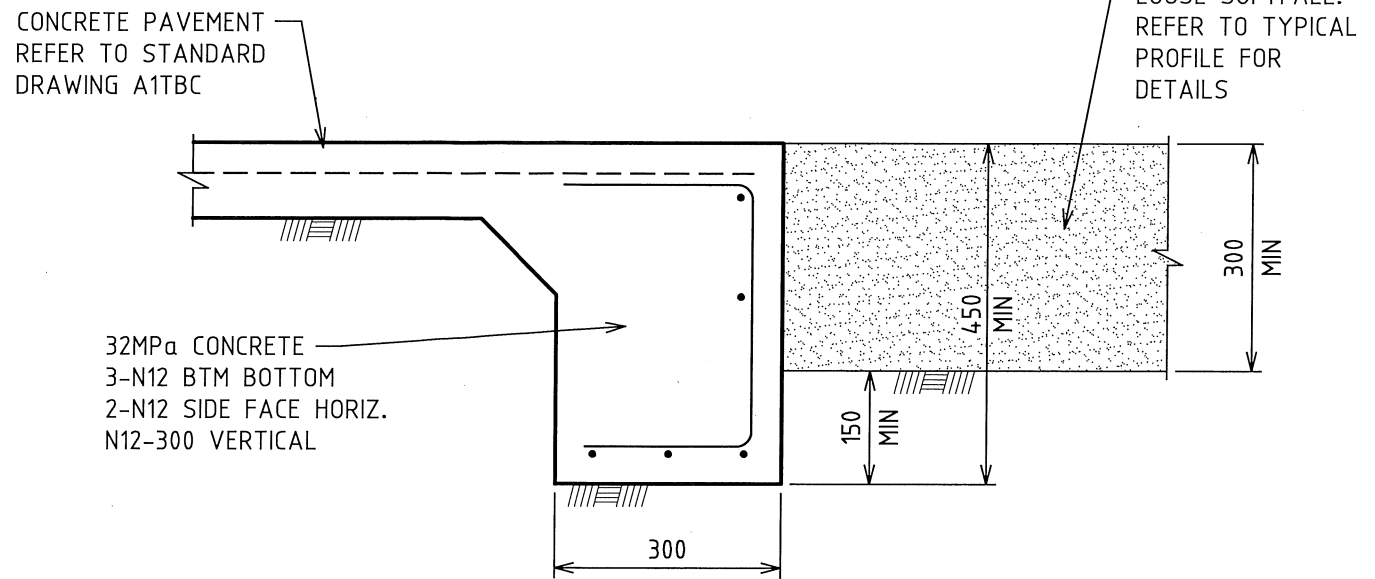
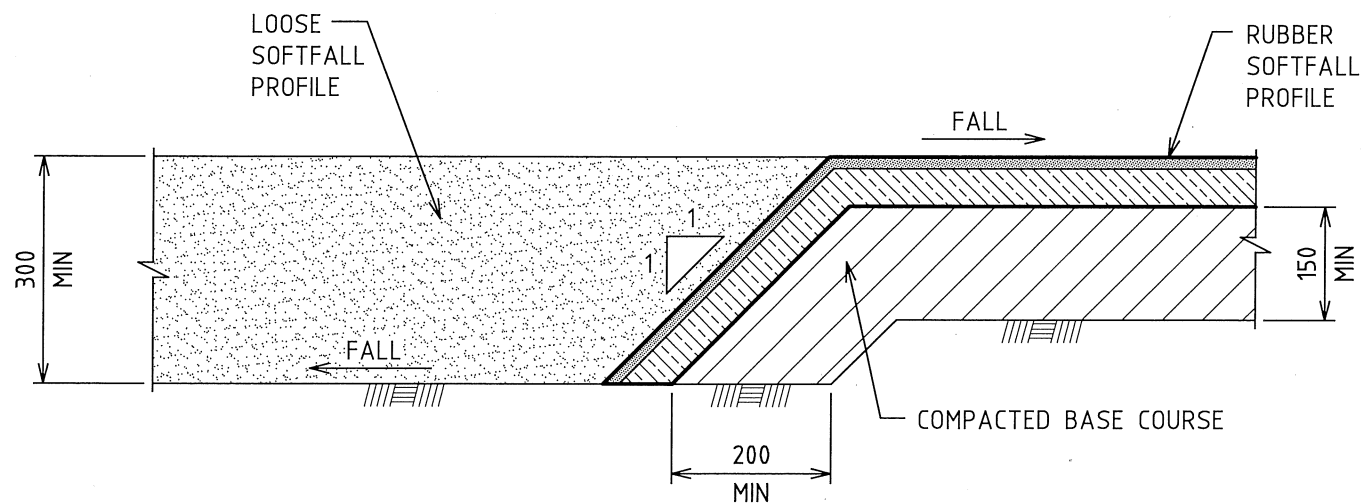


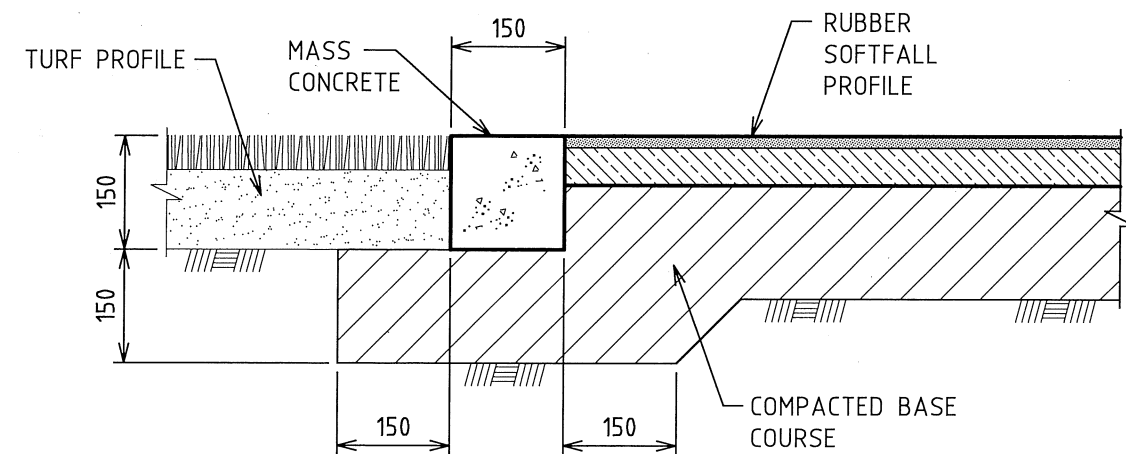
TURF EDGING
 LOOSE SOFTFALL - LEVEL EDGING (TYPE 1)
 SCALE 1:10



CONCRETE PAVEMENT EDGING
 LOOSE SOFTFALL - LEVEL EDGING (TYPE 2)
 SCALE 1:10



JUNCTION OF LOOSE SOFTFALL & RUBBER SOFTFALL / WEAR PAD
 SCALE 1:10



TURF OR CONCRETE PAVEMENT EDGING
 RUBBER SOFTFALL - LEVEL EDGING
 SCALE 1:10

1	CONSTRUCTION	18.12.14	T.A.
0	PRELIMINARY	18.11.14	T.A.
No.	AMENDMENT DETAILS	DATE	INITIALS
A3 ORIGINAL	THIS SHEET WAS PREPARED IN COLOUR AND WILL BE INCOMPLETE IF COPIED		

SCALE	AS SHOWN
COORDINATE SYSTEM:	HEIGHT DATUM: AHD

	LIVEABLE CITY INFRASTRUCTURE MANAGEMENT SERVICES
REVIEWED:	J.C.

APPROVED:	
SIGNED:	INFRASTRUCTURE MANAGEMENT SERVICES MANAGER
DATE:	16/11/15

THE CITY OF NEWCASTLE
SOFTFALL LEVEL EDGING DETAILS

NCC PLAN No.	A3401	SHEET No.	1
AMENDMENT No.		OF	1
		SHEETS	1