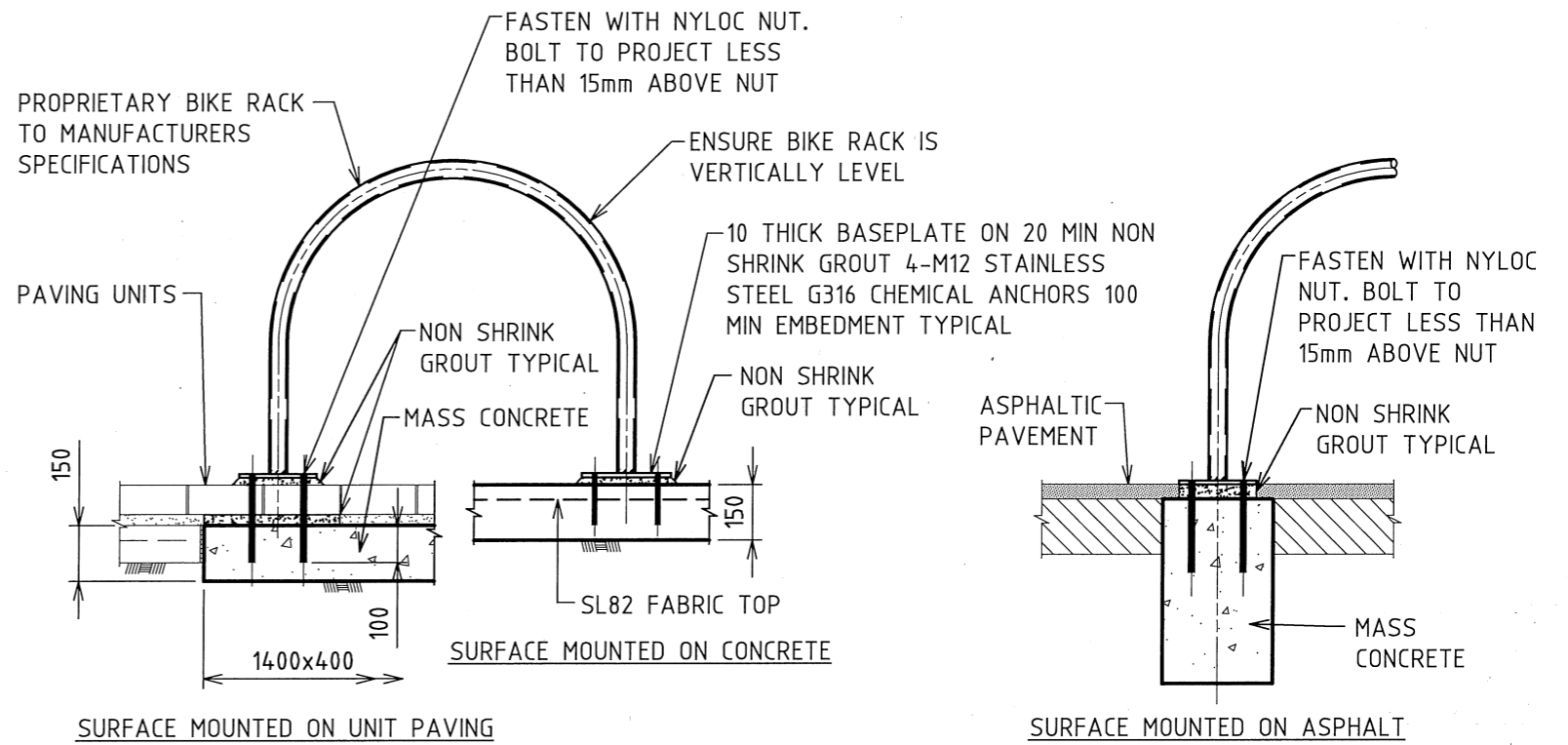
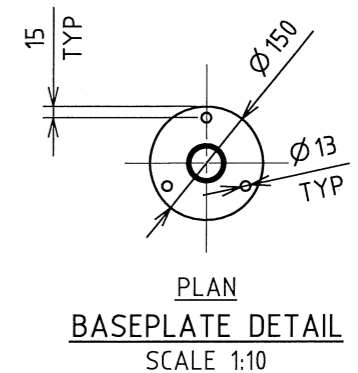
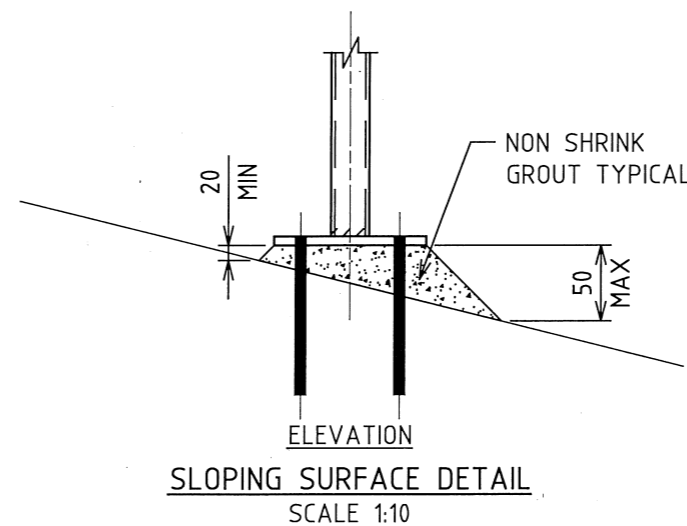


**BIKE RACK HOOP - SETOUT PLANS**  
SCALE 1:50



**BIKE RACK - HOOP SECTIONS**  
SCALE 1:20



No.	AMENDMENT DETAILS	DATE	INITIALS
1	CONSTRUCTION	18.12.14	T.A.
0	PRELIMINARY	18.11.14	T.A.

SCALE	AS SHOWN
COORDINATE SYSTEM:	HEIGHT DATUM: AHD

 LIVEABLE CITY INFRASTRUCTURE MANAGEMENT SERVICES	APPROVED:
	SIGNED: <i>[Signature]</i> INFRASTRUCTURE MANAGEMENT SERVICES MANAGER DATE: 16/11/15
REVIEWED:	J.C.

THE CITY OF NEWCASTLE BIKE RACK HOOP
--

NCC PLAN No. <b>A3650</b>	SHEET No. 1 OF 1 SHEETS
AMENDMENT No.	