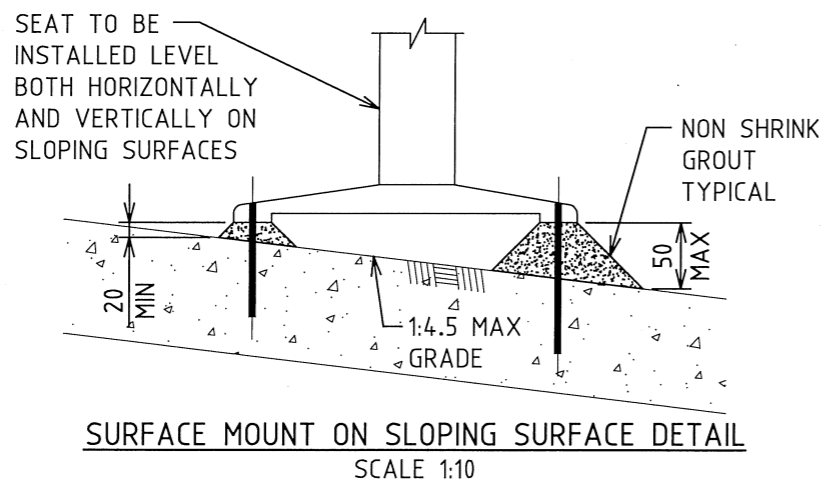
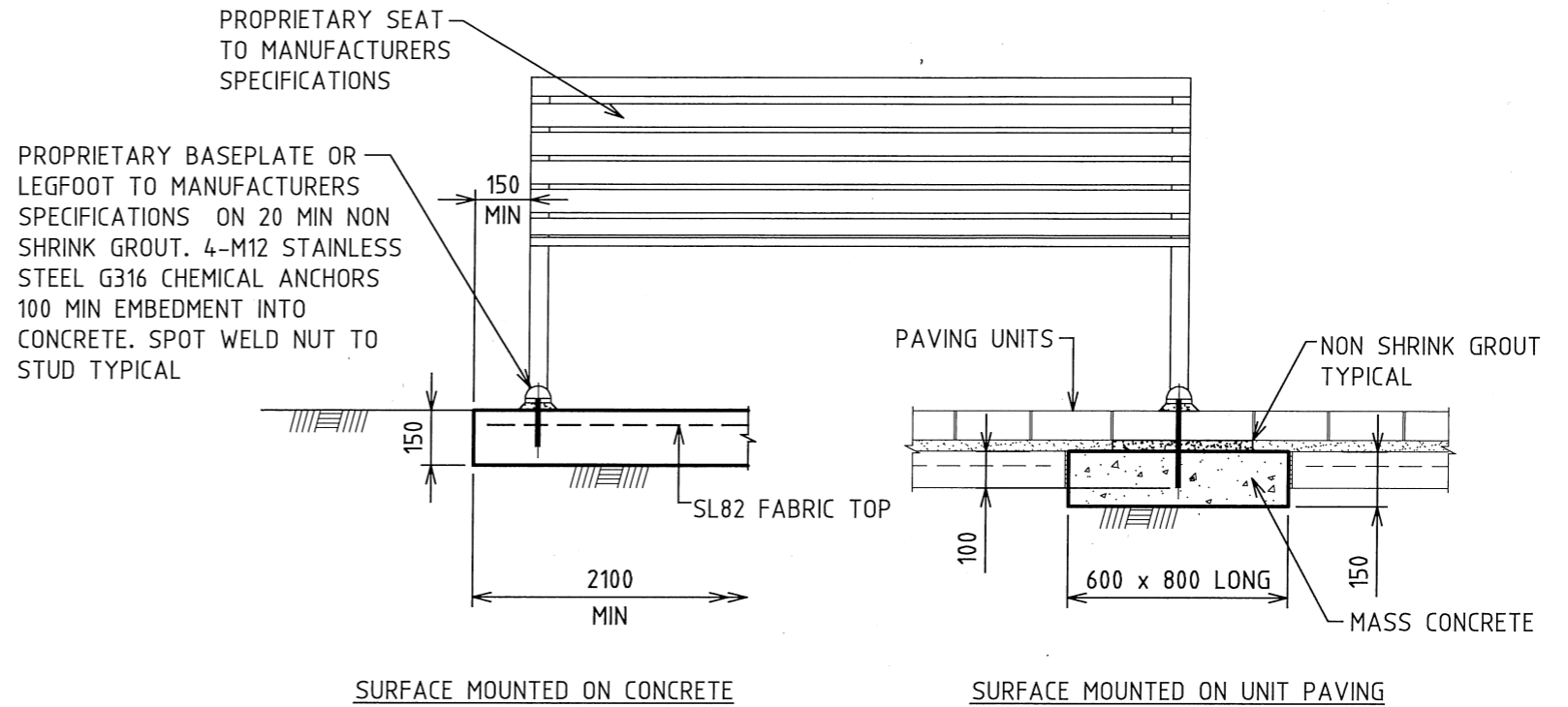


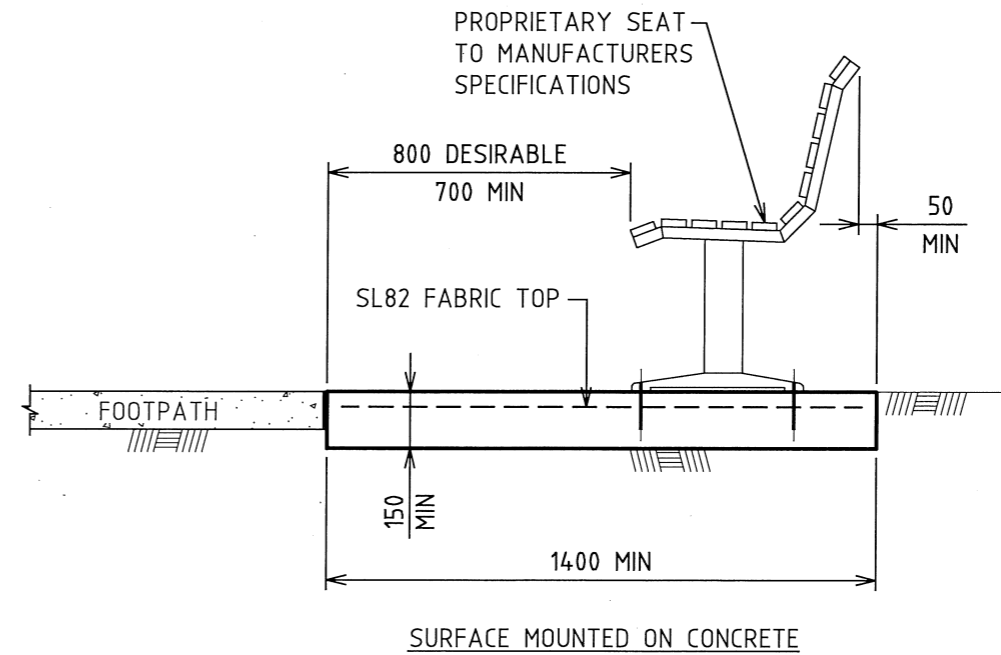
SEATING - SETOUT PLAN  
SCALE 1:20



SURFACE MOUNT ON SLOPING SURFACE DETAIL  
SCALE 1:10



FRONT ELEVATION



SIDE ELEVATION

SEATING - TYPICAL ELEVATIONS  
SCALE 1:20

NOTES

1. FOR SETOUT OF BUS STOP REFER TO THE CITY OF NEWCASTLE STANDARD DETAILS AND STATE TRANSIT BUS INFRASTRUCTURE GUIDE
2. REFER TO THE CITY OF NEWCASTLE TECHNICAL GUIDELINES FOR ALL OR PROJECT SPECIFIC DOCUMENTATION FOR FURNITURE SPECS

			SCALE AS SHOWN	LIVEABLE CITY INFRASTRUCTURE MANAGEMENT SERVICES	APPROVED:  SIGNED: <i>[Signature]</i> INFRASTRUCTURE MANAGEMENT SERVICES MANAGER DATE: <i>[Date]</i>	<b>THE CITY OF NEWCASTLE</b>  <b>SEATING</b> <b>BENCH SEAT - SURFACE MOUNTED</b>	NCC PLAN No. <b>A3600</b>	SHEET No. 1 OF 1 SHEETS
1	CONSTRUCTION	18.12.14	T.A.					
0	PRELIMINARY	18.11.14	T.A.					
No.	AMENDMENT DETAILS	DATE	INITIALS					
A3 ORIGINAL THIS SHEET WAS PREPARED IN COLOUR AND WILL BE INCOMPLETE IF COPIED			COORDINATE SYSTEM:	HEIGHT DATUM: AHD	REVIEWED: J.C.		AMENDMENT No.	